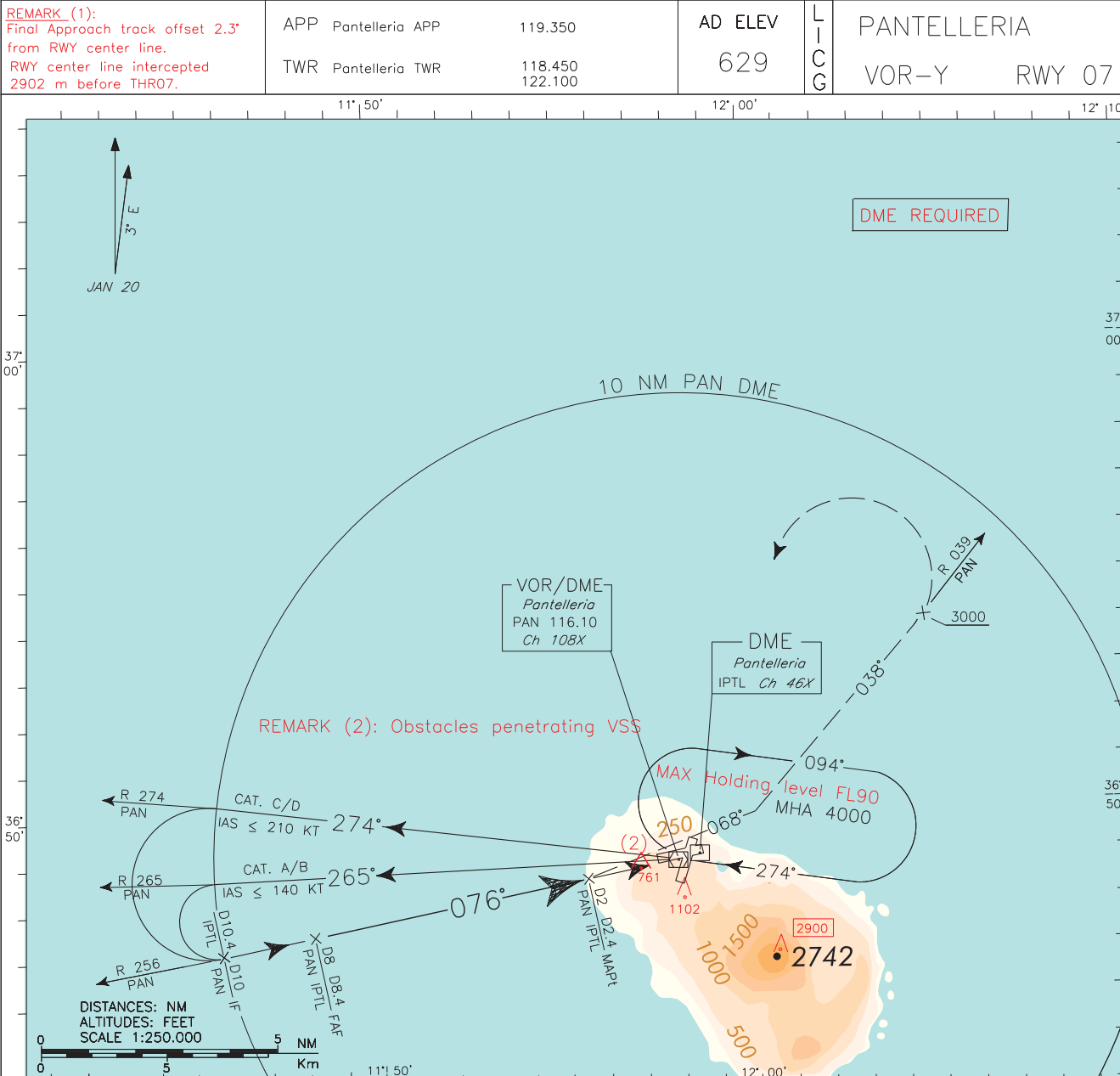


ICAO - INSTRUMENT APPROACH CHART

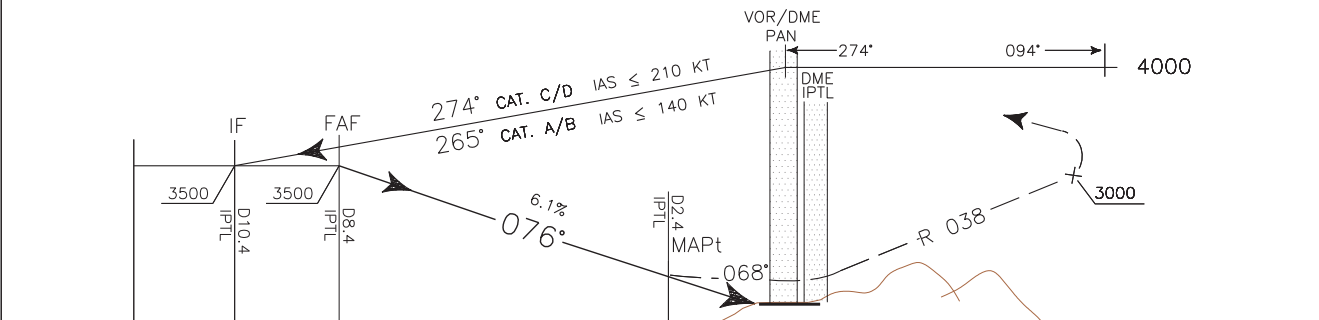
DOC.8168 - ED.5 2006 - AMDT.4

CHANGE: HOLDING RESTRICTION UPDATED



TRANSITION ALT 5000

MISSED APPROACH: Not later than 2 NM before PAN VOR climb to 4000 Ft turning left on track 068° to intercept and follow RDL 038, passing 3000 Ft turn left to PAN VOR to be reached at 4000 Ft.



*	PAN DME	D12	D11	D10	D9	D8	D7	D6	D5	D4	D3	D2	D1	0	THR ELEV 629	PAN DME
---	---------	-----	-----	-----	----	----	----	----	----	----	----	----	----	---	--------------	---------

STRAIGHT-IN LANDING RWY 08		CIRCLE TO LAND		CIRCLING SECTORS	GS	FT PER MIN	FAF-MAPt	MAPt-THR	PAN DME	ALT (HGT)	MSA 25NM PAN VOR
OCA(H) 1350(721)							6 NM	1.58 NM			
MDA(H) 1650(1021)		MAX KT	OCA(H)	MDA(H)							
A	2250M	100	1600 (971)	2100 (1471)		80	500	4 : 30	1 : 11	7	3120 (2491)
B		135				100	620	3 : 36	0 : 57	6	2750 (2121)
C	3000M	180	1700 (1071)			120	740	3 : 00	0 : 47	5	2380 (1751)
D		205				140	870	2 : 34	0 : 41	4	2010 (1381)
						160	990	2 : 15	0 : 36	3	1640 (1011)
										2	1270 (641)