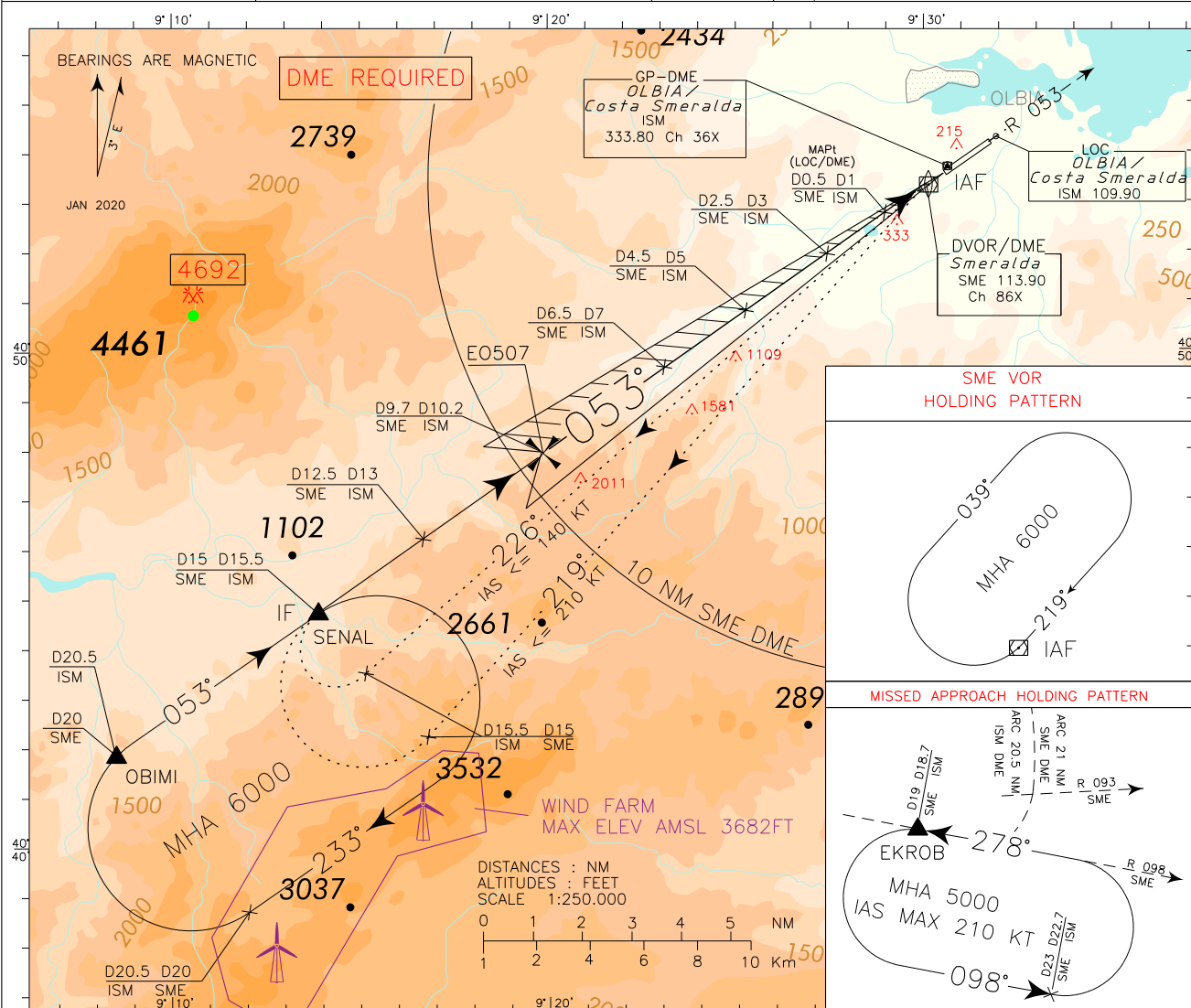


ICAO - INSTRUMENT APPROACH CHART

8 - AMDT 8
2014 - ED 6 - DOC 8168

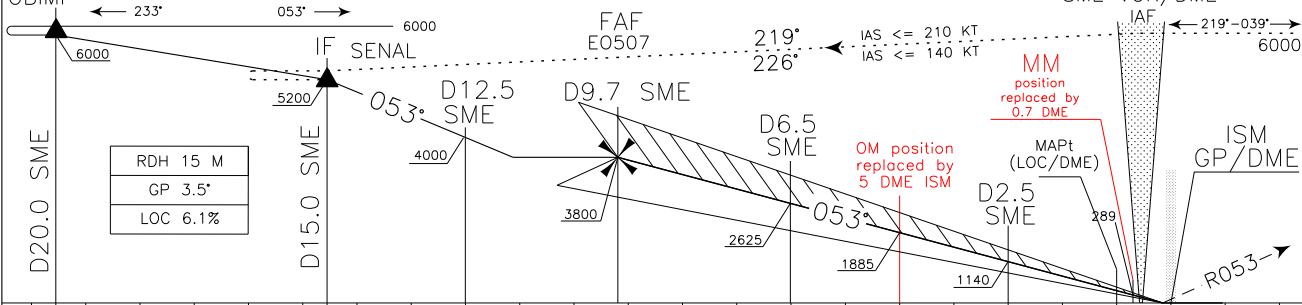
MAGNETIC VARIATION UPDATED

REMARK: (1) During night hours, PAPI indications mandatory	APP Roma Radar	125.950 (127.125)	AD ELEV	LIEO	OLBIA/ COSTA SMERALDA ILS or LOC RWY 05
	TWR Olbia TWR	118.975	37		
	ATIS Olbia arrival and departure information	113.900			



TRANSITION ALT 6000

MISSED APPROACH: Proceed on RDL 053 SME VOR climbing to 5000 ft. Cross 19 NM SME DME (18.5 NM ISM DME) at 2500 ft or above then turn right to join and follow 21NM ARC SME DME (20.5 NM ARC ISM DME) bound to EKROB. Hold on RDL 098 SME VOR (INBOUND TR 278°) between 19 NM and 23 NM SME DME (18.7 NM and 22.7 NM ISM DME) with left turn (IAS MAX 210KT).



ISM DME	20	19	18	17	16	15	14	13	12	11	10	9	8	7	6	5	4	3	2	1	0	1	2
SME DME	20	19	18	17	16	15	14	13	12	11	10	9	8	7	6	5	4	3	2	1	0	1	2

OCA(OCH)		A	B	C	D
STRAIGHT IN APPROACH	ILS	310 (274)	320 (284)	330 (294)	340 (304)
	LOC	640 (603)			
	DME	640 (603)			
CIRCLING (see warning)		1200 (1163)	1600(1563)	1960(1923)	

CIRCLING SECTORS NOT ALLOWED	GS	FT PER MIN	FAF-OM	OM-MM	OM ISM	ALT (HGT)
	80	496	3 : 54	3 : 14	7	2625 (2588)
	100	620	3 : 07	2 : 34	6	2255 (2218)
	120	744	2 : 36	2 : 09	5	1885 (1848)
	140	868	2 : 14	1 : 51	4	1515 (1478)
	160	992	1 : 57	1 : 37	3	1140 (1103)
180	1116	1 : 44	1 : 26	2	770 (733)	

