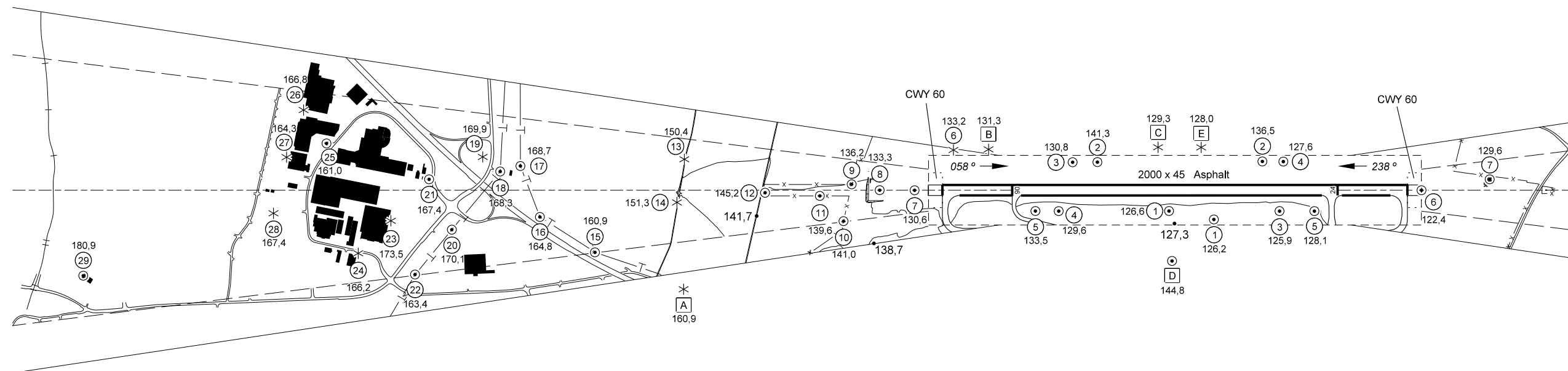
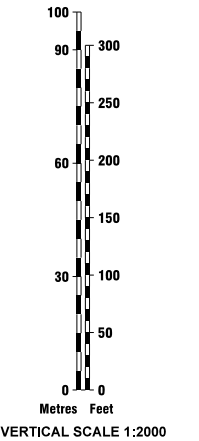
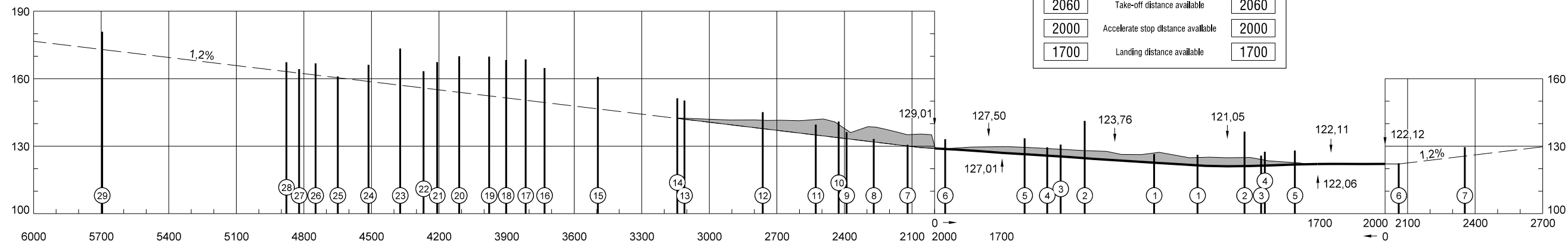


**RUNWAY 06/24**

DIMENSIONS AND ELEVATIONS IN METRES  
MAGNETIC VARIATION 2,3° E (2023,01)

RWY 06	DECLARED DISTANCES	RWY 24
2000	Take-off run available	2000
2060	Take-off distance available	2060
2000	Accelerate stop distance available	2000
1700	Landing distance available	1700



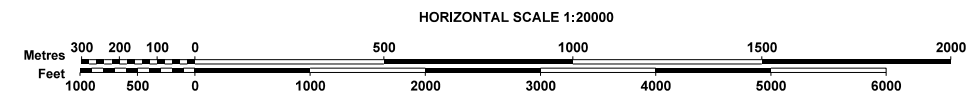
**LEGEND**

	Terrain penetrating obstacle plane		Building
	Wooded areas penetrating obstacle plane		Obstacle penetrating obstacle plane, profile presentation
	Structure gauge		Obstacle penetrating the transitional surfaces
	Pole, tower, chimney, antenna		High tension cable, overhead cable
	Tree, shrub		Fence
			Railroad (one or more tracks)

**AMENDMENT RECORD**

NO.	DATE	ENTERED BY

Date of survey: 03/2023  
Accuracy ± 0.5 m



Correction: New survey.