

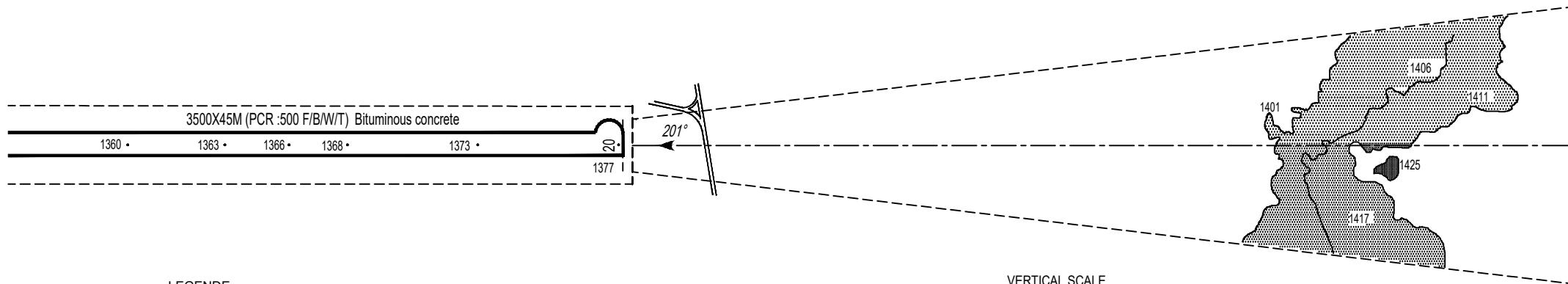
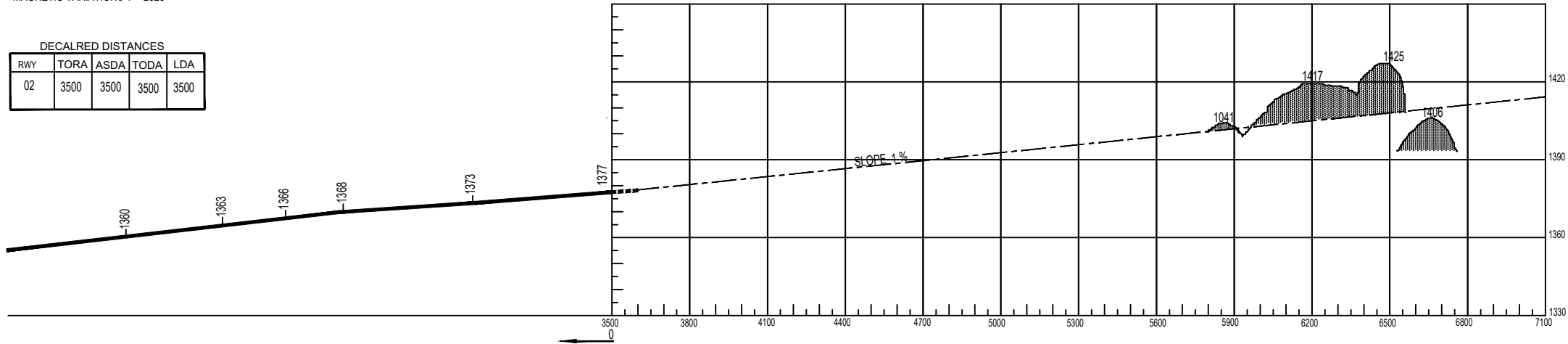
DIMENSIONS AND ELEVATIONS IN METRES

AERODROME OBSTACLE - ICAO -RWY 02  
TYPE A (OPERATING LIMITATIONS)

TAMENGHASSET/Aguenar - Hadj Bey Akhamok

MAGNETIC VARIATIONS 1° - 2023

DECALRED DISTANCES				
RWY	TORA	ASDA	TODA	LDA
02	3500	3500	3500	3500



LEGENDE

IDENTIFICATION NUMBER	①
TREES OR BUSH	✳
POLE, TOWER, SPIRE, ANTENNA, ECT	⬮
BUILDING OR LARGE STRUCTURE	■
RAILROAD	⚡
POWER TRANSMISSION LINE OR SUSPENDED CABLE	—
TERRAIN PENETRATING OBSTACLE PLANE	⚡

VERTICAL SCALE



HORIZONTAL SCALE

