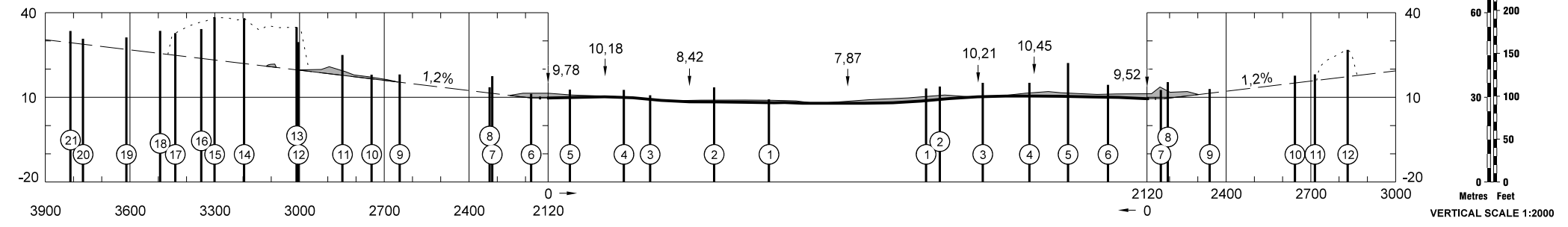
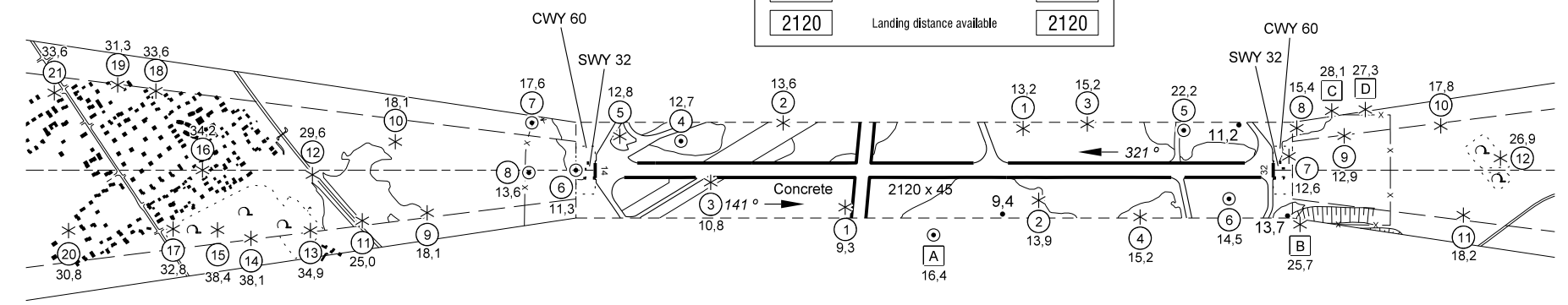


DIMENSIONS AND ELEVATIONS IN METRES  
MAGNETIC VARIATION 3.5° E (2023,11)

**RUNWAY 14/32**



RWY 14	DECLARED DISTANCES	RWY 32
2120	Take-off run available	2120
2180	Take-off distance available	2180
2152	Accelerate stop distance available	2152
2120	Landing distance available	2120

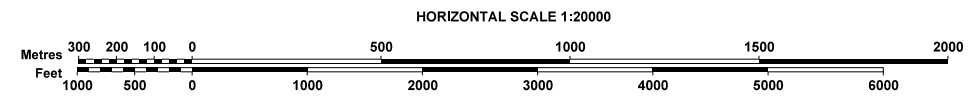


AMENDMENT RECORD		
NO.	DATE	ENTERED BY

Date of survey: 07/2023  
Accuracy ± 0.5 m (horizontal/vertical)

**LEGEND**

- Terrain penetrating obstacle plane
- Wooded areas penetrating obstacle plane
- Structure gauge
- Pole, tower, chimney, antenna
- Tree, shrub
- Building
- Obstacle penetrating obstacle plane, profile presentation
- Obstacle penetrating the transitional surfaces
- High tension cable, overhead cable
- Fence
- Railroad (one or more tracks)



Correction: New survey.