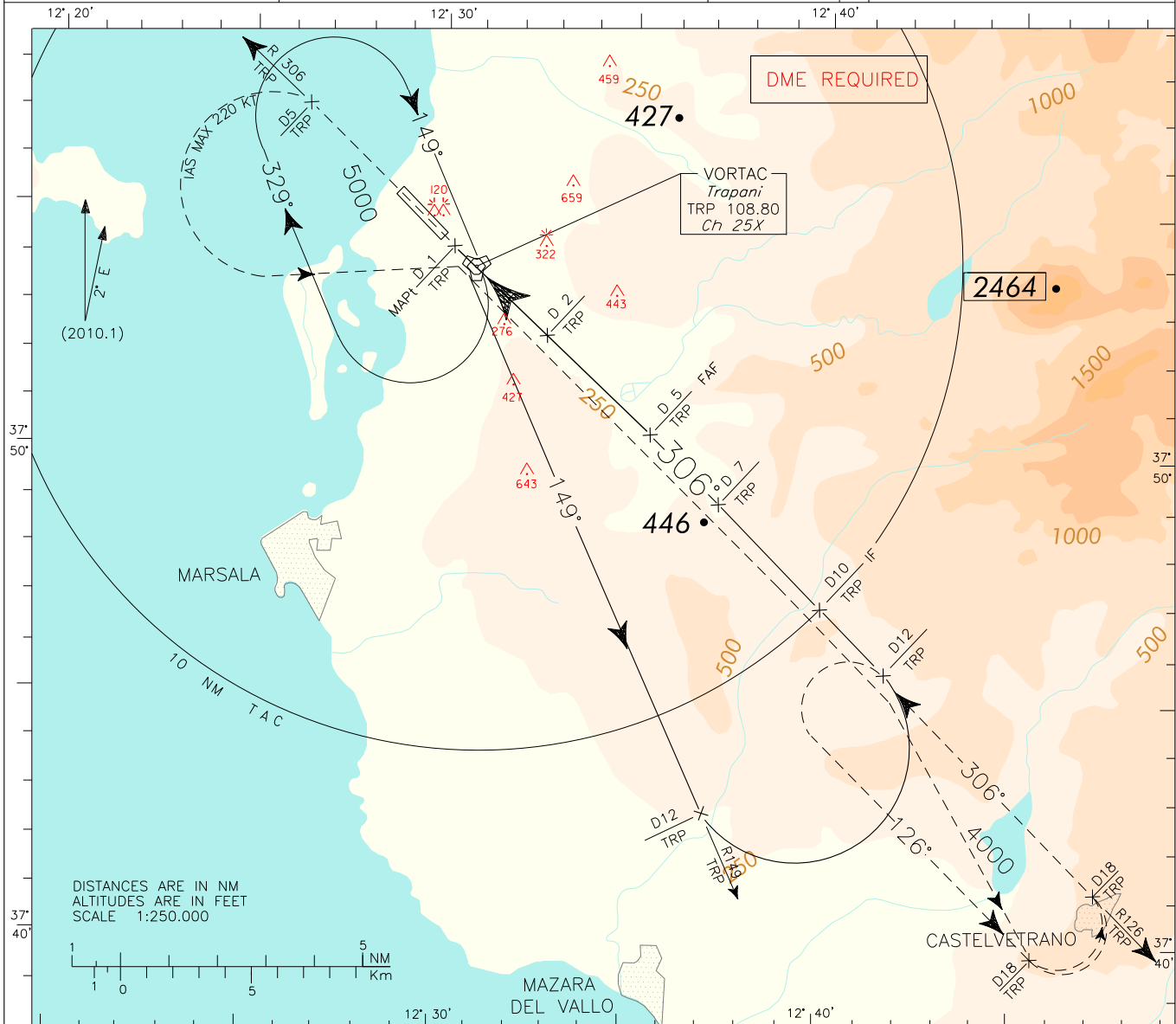


ICAO - INSTRUMENT APPROACH CHART

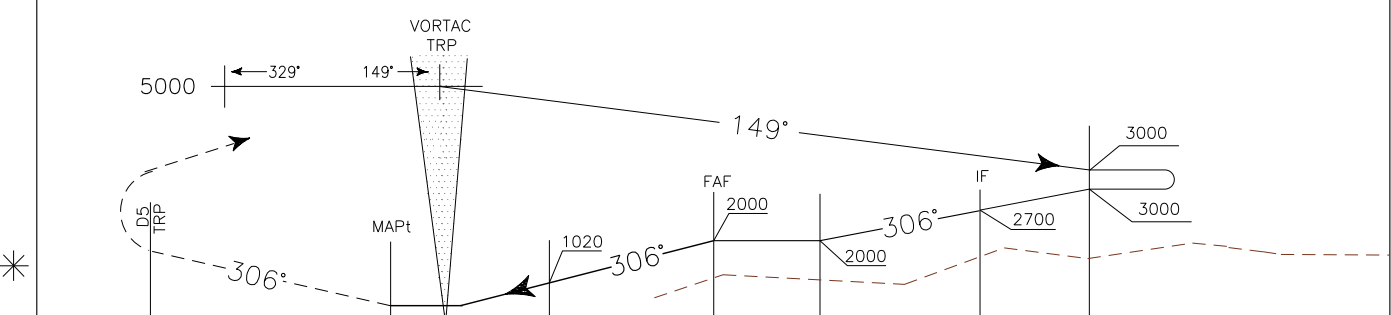
APP	Trapani APP/Radar	119.950	122.805	AD ELEV	26	L I C I T	TRAPANI/ BIRGI VOR-Y (CAT. C/D) RWY 31L
TWR	Trapani TWR	119.730	122.100				

DOC:8168-ED.3-1986

CHANGE: AD ELEVATION UPDATED



TRANSITION ALT 5000 MISSED APPROACH: At 1 NM after TRP TACAN proceed on RDL 306 TRP VOR climb to 4000 ft. At 5 NM TRP TACAN turn left to join and follow RDL 126 TRP VOR (left turn limited to 220 kt) direct to Missed Approach holding pattern. Hold on RDL 126 at 4000 ft between 12 NM and 18 NM TRP VORTAC. Inbound track 306°, left turn.



TRP TACAN	6	5	4	3	2	1	0	1	2	3	4	5	6	7	8	9	10	11	12	13	14	15	16	17	TRP TACAN				
	6	5	4	3	2	1	0	1	2	3	4	5	6	7	8	9	10	11	12	13	14	15	16	17					
	NM																							NM					

STRAIGHT IN APPROACH	OCA (OCH)		A	B	C	D	Circling South/South West of runway only. (1)	GS	PER MIN	DIST	ALT (HGT)	MNM SECT ALT VOR TRP	
	VOR+DME				640 (620)			70	380	5 DME	2000(1980)		
CIRCLING (1)					1040 (1020)			90	490	4 DME	1670(1650)		
								110	600				
									130	710	3 DME		1350(1330)
									150	820	2 DME		1020(1000)
									170	930	1 DME		700 (680)
							190	1040					
							210	1150	0.8DME	640 (620)			

Edited by AM-CIGA