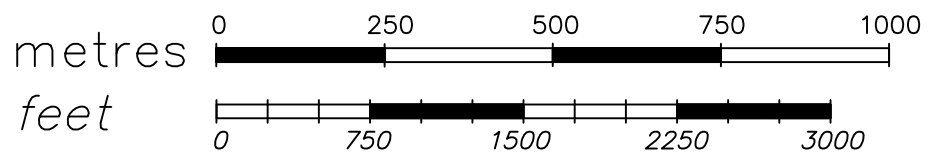
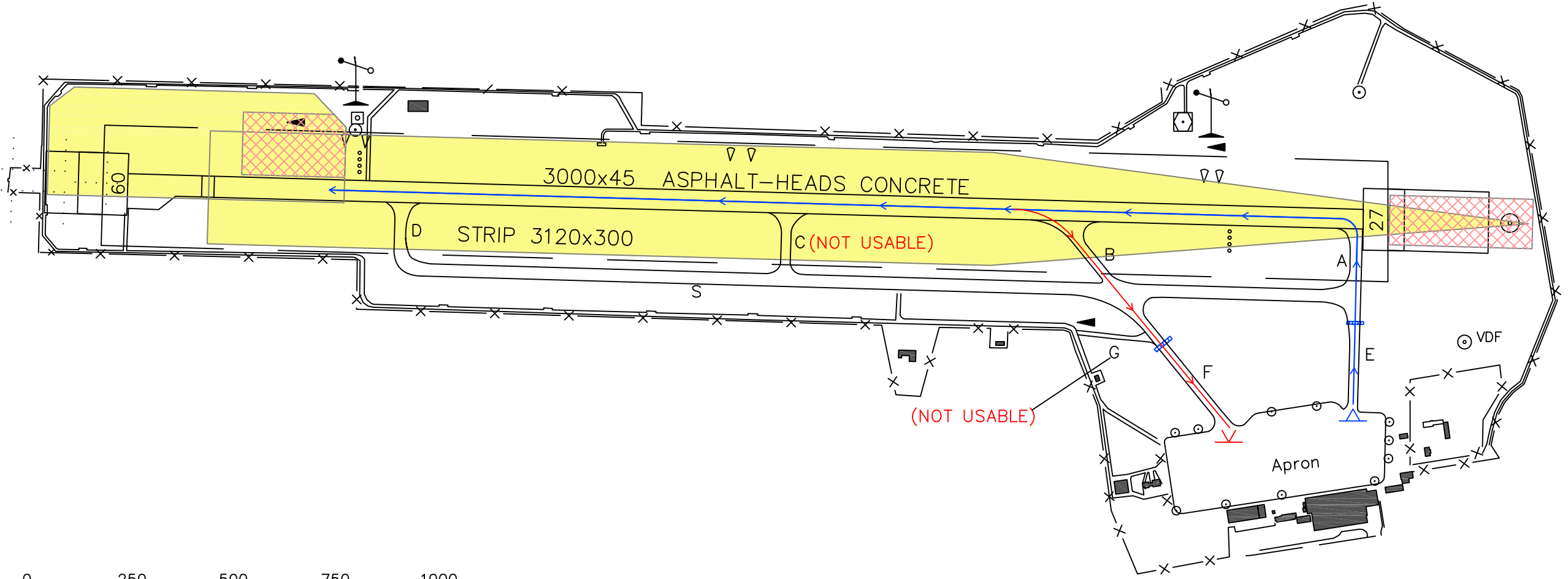


LOW VISIBILITY PROCEDURES CHART

TWR 130.205	AD ELEV 40 APRON ELEV 30	TRIESTE / RONCHI DEI LEGIONARI	
		L I P Q	45°49'39"N 013°28'20"E

VAR +4° E-2024.0
 ↑
 ↓
 Annual rate of change 8'E

CHANGE: MAGNETIC VAR



- ABORTED TAKE-OFF RWY 27 VACATE VIA "D" THEN "S" AND "F"
 - ABORTED TAKE-OFF RWY 09 VACATE VIA "A" THEN "E"

LEGENDA	
ARR	STOP BARS
DEP	FOLLOW-ME POSITION
AREE CRITICHE	FOLLOW-ME POSITION
AREE SENSITIVE	

Data provided by Aeroporto F.V.G.