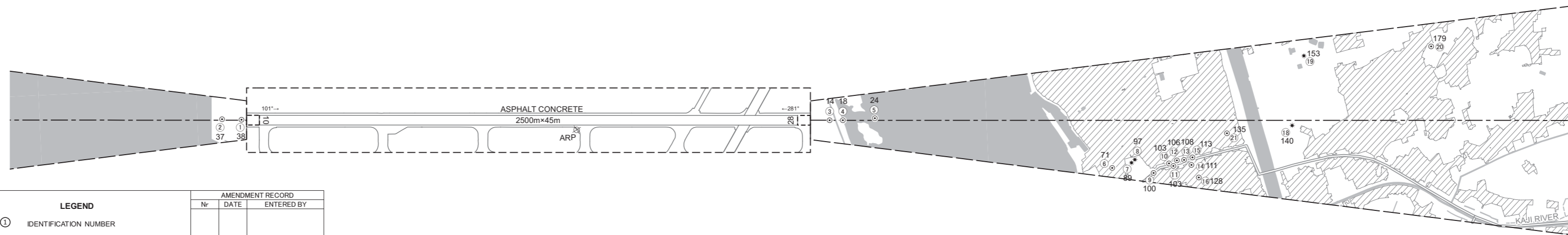
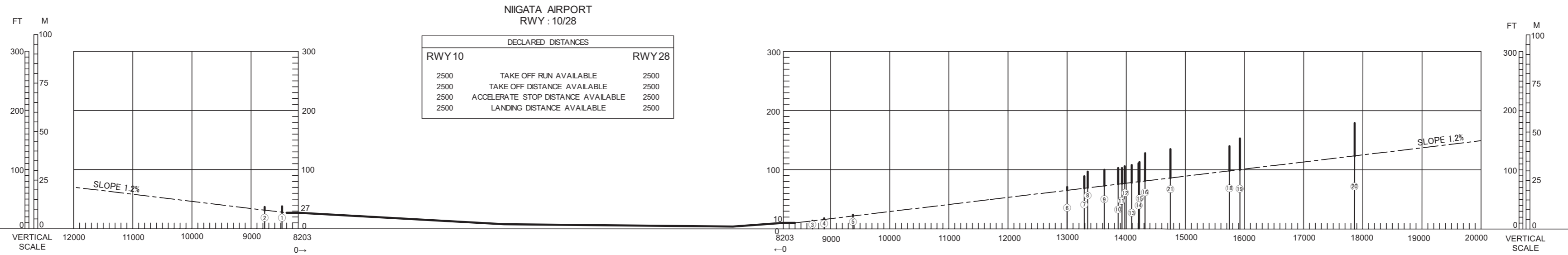


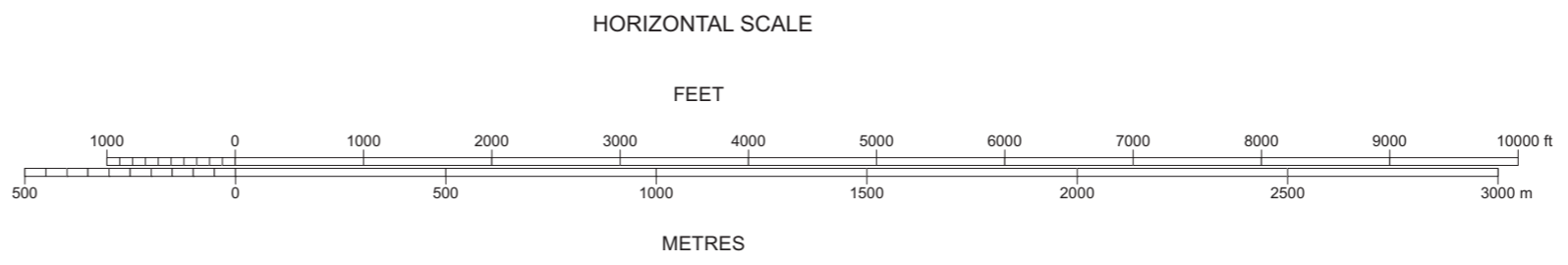
DIMENSIONS AND ELEVATIONS IN FEET BEARINGS ARE MAGNETIC
Transverse Mercator Projection

AERODROME OBSTACLE CHART-ICAO
TYPE A (OPERATING LIMITATIONS)

MAGNETIC VARIATION 9°W - DEC 2022



LEGEND		AMENDMENT RECORD		
		Nr	DATE	ENTERED BY
①	IDENTIFICATION NUMBER			
⊙	POLE, TOWER, SPIRE, ANTENNA, ETC			
*	TREE			
—+—+—	RAILROAD			
—~—~—	RIVER			
△	TRIANGULATION POINT			
★	AERONAUTICAL GROUND LIGHT			
■	BUILDING OR LARGE STRUCTURE			
⋯	CONTOURS(ft)			



測量法に基づく国土地理院長承認(使用) R 4JHs 286 国土数値情報 (緊急輸送道路)

CHANGE: Update