

STANDARD DEPARTURE CHART-INSTRUMENT

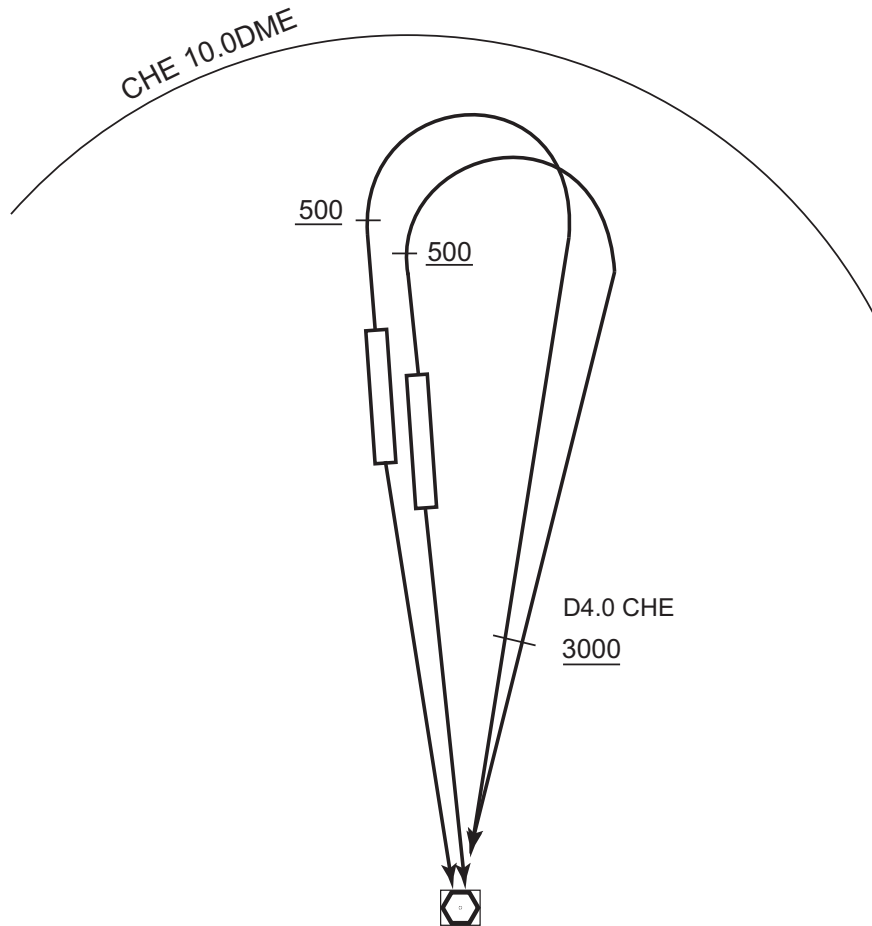
RJCJ / CHITOSE

SID

CHITOSE FOUR DEPARTURE

RWY 18L/18R : Climb direct to CHE VOR/DME.

RWY 36R/36L : Climb via RWY HDG to 500FT or above, turn right to CHE VOR/DME within CHE 10.0DME.
Cross 4.0DME prior to CHE VOR/DME at or above 3000FT.



VOR/DME	
CHITOSE	
116.9	CHE
CH-116X	⋯⋯⋯
42°42'00"N/141°41'10"E	
100FT	

CHANGE : PROC renamed. PROC course. CHITOSE TACAN deleted. Note deleted.