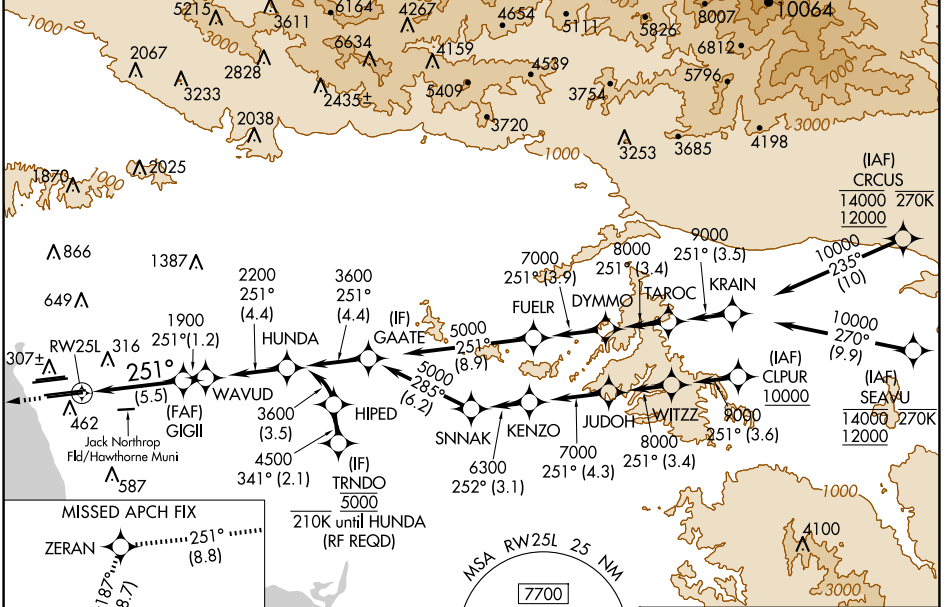


APP CRS	Rwy Idg	11095
251°	TDZE	104
	Apf Elev	128

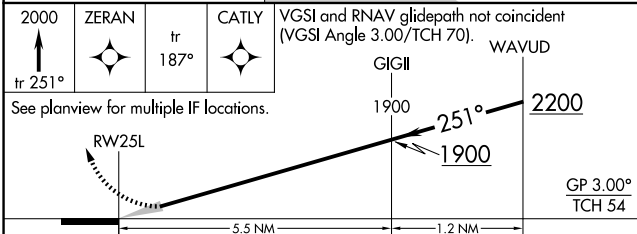
RNAV (RNP) Z RWY 25L

LOS ANGELES INTL (LAX)

RNP AR APCH.		GPS required. For uncompensated Baro-VNAV systems, procedure NA below 5°C or above 54°C. Simultaneous approach authorized. Simultaneous approach authorized with HHR.		ALSF-2 	MISSED APPROACH: Climb to 2000 on track 251° to ZERAN and on track 187° to CATLY and hold.	
D-ATIS	SOCAL APP CON		LOS ANGELES TOWER	GND CON	CLNC DEL	CPDLC
ARR 133.8	124.3 363.2	124.9 269.0	N 133.9 239.3	N 121.65 327.0	120.35	
DEP 135.65	124.5 235.975	128.5 360.7	S 120.95 379.1	S 121.75 327.0	327.0	
	(225°-044°)	(090°-224°)	(045°-089°)	W 121.4 327.0		

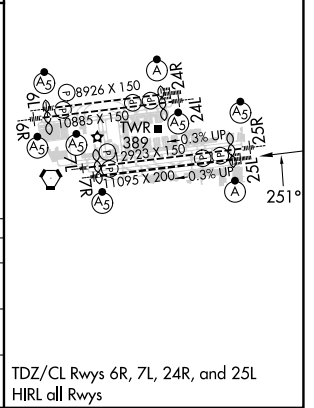


ELEV 128	D TDZE 104
----------	-------------------



CATEGORY	A	B	C	D
RNP 0.15 DA		445/30	341 (400- $\frac{5}{8}$)	
RNP 0.30 DA		543/50	439 (500-1)	

AUTHORIZATION REQUIRED



SW-3, 20 MAR 2025 to 17 APR 2025

SW-3, 20 MAR 2025 to 17 APR 2025