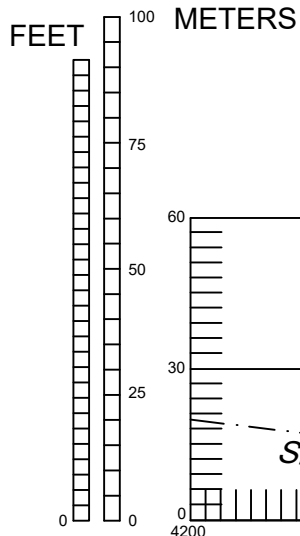


VAR 4° 29' E - 01/01/2019  
Annual Rate of Change 5' 53" E

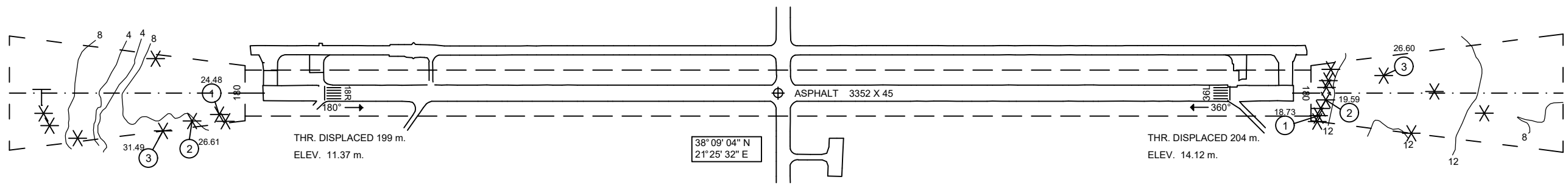
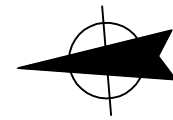
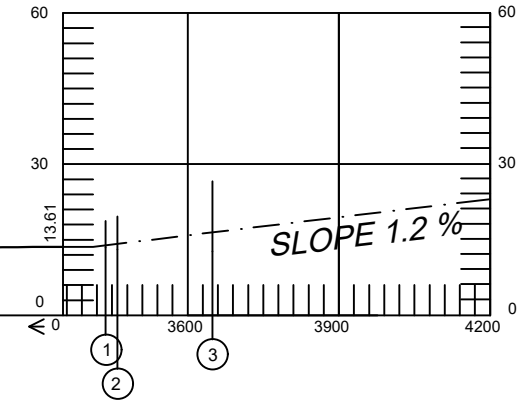
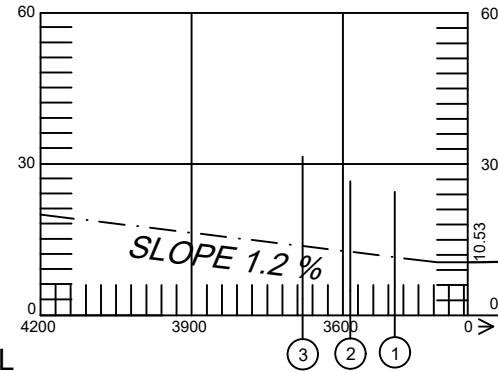
RWY 18R - 36L

DECLARED DISTANCES

RWY 18R		RWY 36L
3352	TAKE-OFF RUN AVAILABLE	3352
3352	TAKE-OFF DISTANCE AVAILABLE	3352
3352	ACCELERATE STOP DISTANCE AVAILABLE	3352
3153	LANDING DISTANCE AVAILABLE	3148

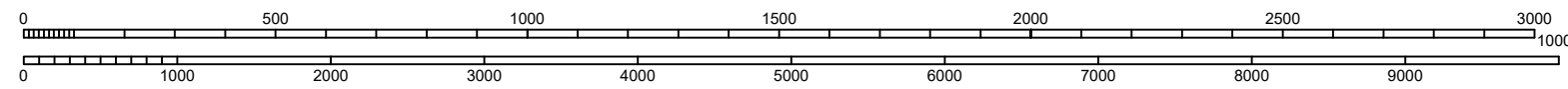


VERTICAL SCALE  
1 : 1500



LEGEND	
IDENTIFICATION NUMBER	①
SPOT ELEVATION	5.3
TREE OR SHRUB	*
TRANSMISSION LINE OR OVERHEAD CABLE	T
TERRAIN PENETRATING OBSTRUCTION PLANE	~
BUILDING OR LARGE STRUCTURE	■
FENCE	-x-x-x-
ROAD	==
TERRAIN CONTOUR	~

METERS  
FEET



CHANGE : Magn. Var. & Annual Increase

AMENDMENT RECORD		
No.	DATE	ENTERED BY